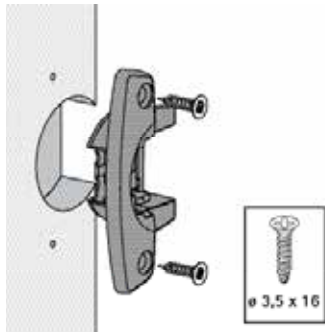


Single pivot hinge with knuckle

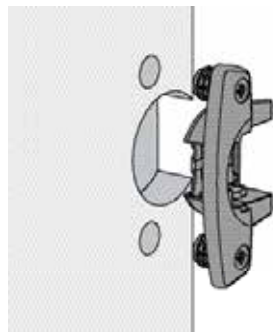
- ▶ Selekt
- ▶ Selekt Pro 2000 installation notes

Cup installation / base hinge installation

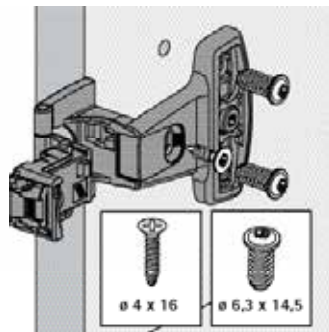
For screwing on



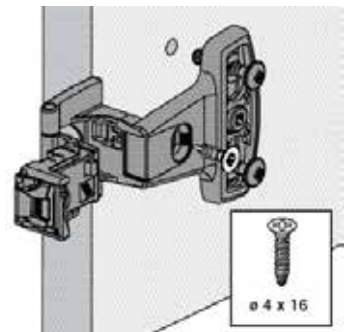
For pressing in



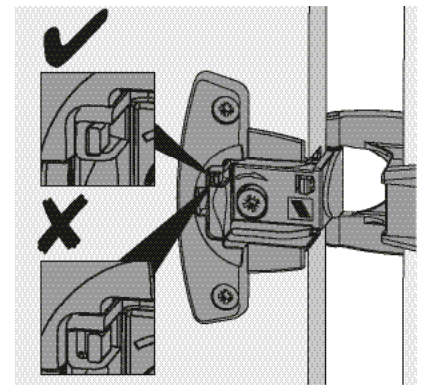
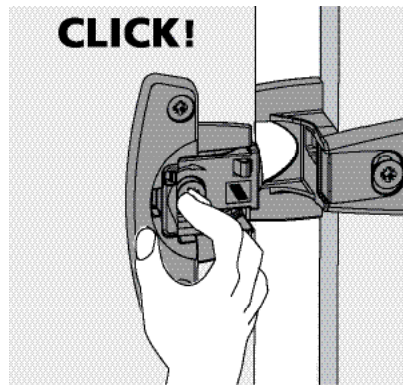
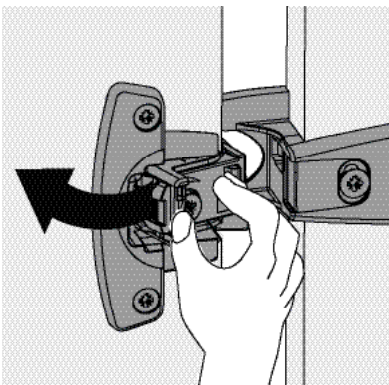
For screwing on



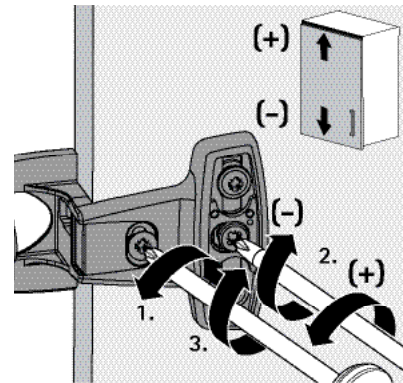
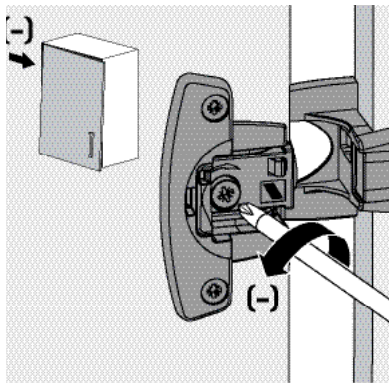
With premounted expanding sockets



Clip on installation



Overlay adjustment / height adjustment



Removal

