

Pneumatic circuit diagrams

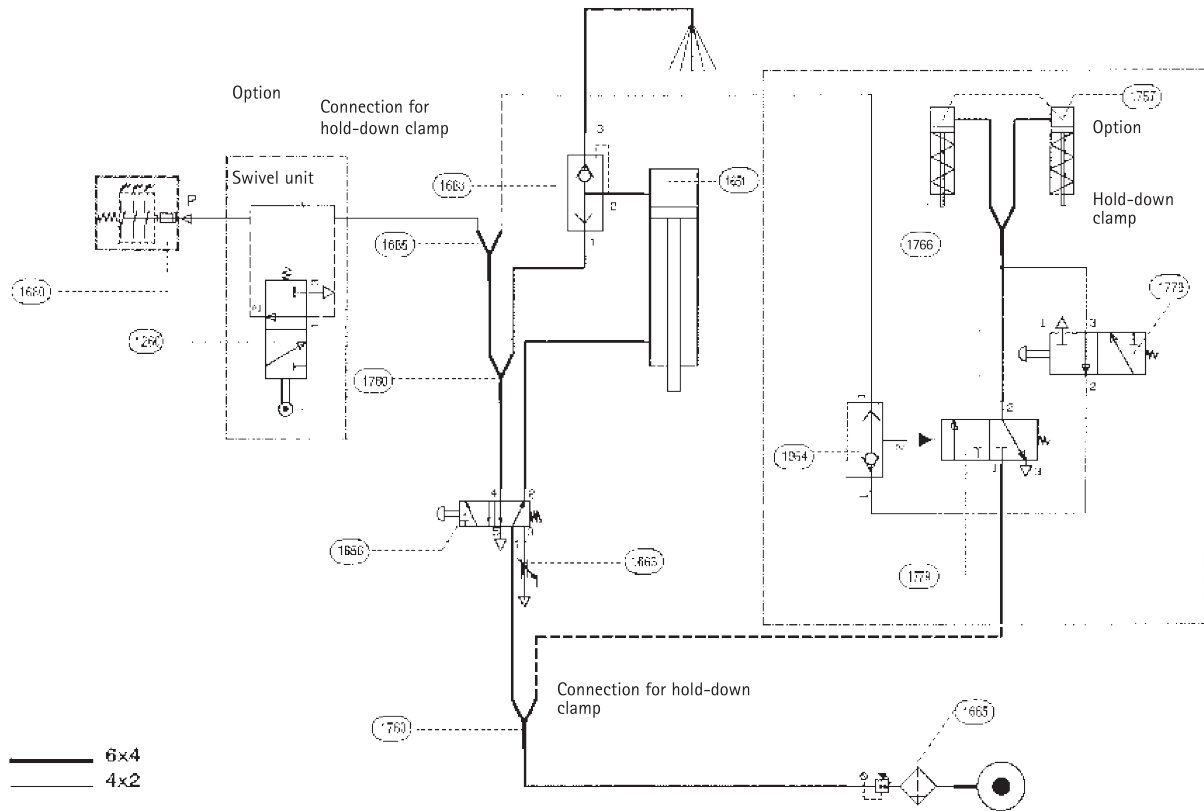


Fig. 43: BlueMax Mini Type 3

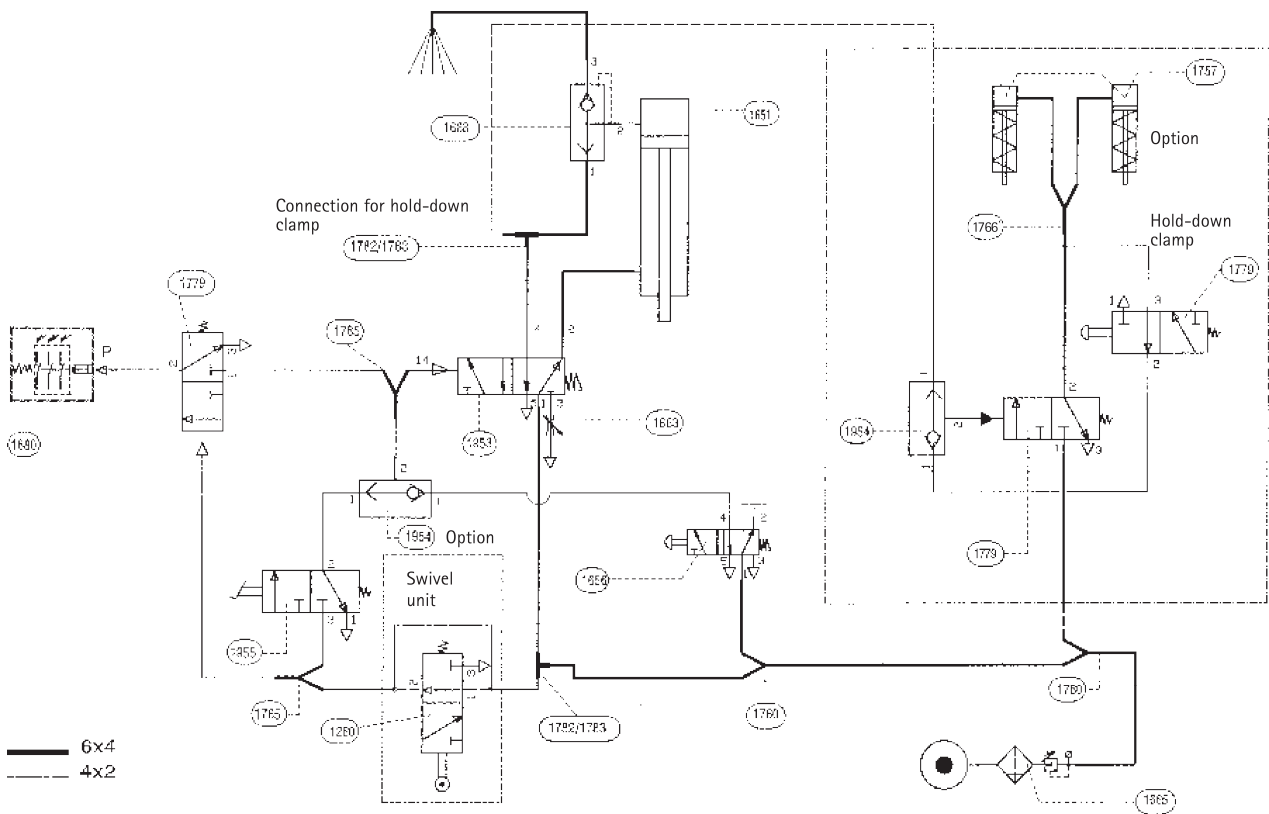
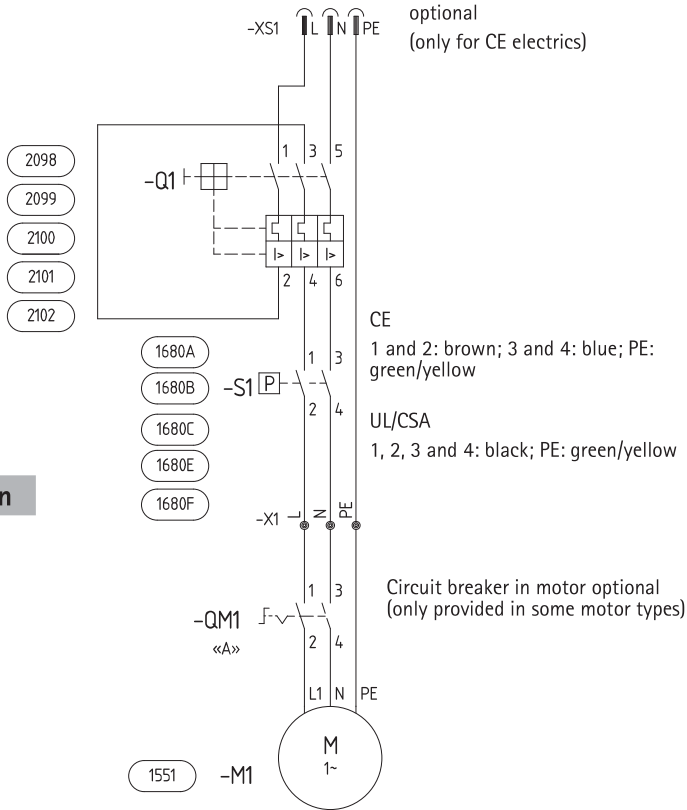


Fig. 44: BlueMax Mini Type 3 with accessories

Wiring diagrams

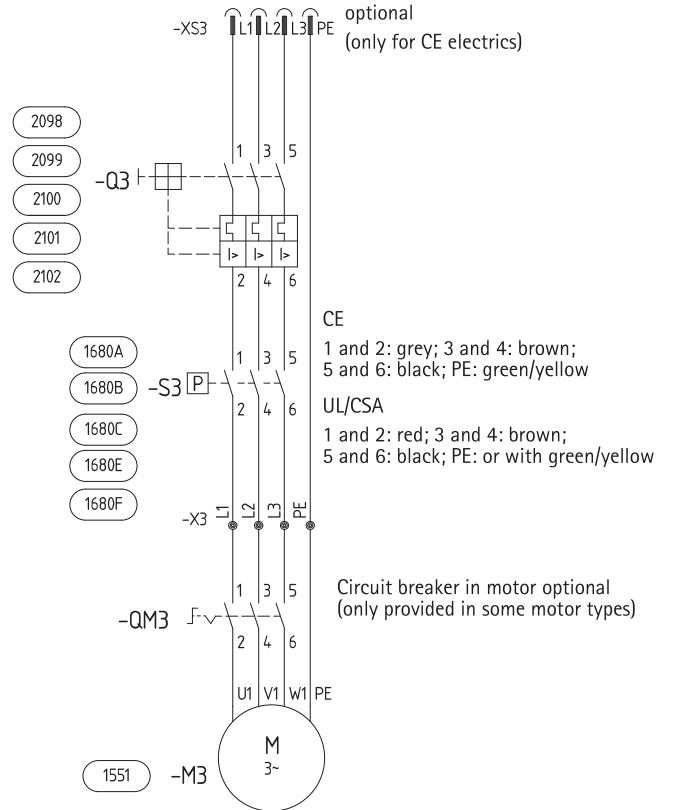
Mains fuse protection at customer
max. 16A



P = see order
U = see order
I = see order
n = 2800 rpm

BlueMax Mini Modular 1-phase

Mains fuse protection at customer
max. 16A



P = see order
U = see order
I = see order
n = 2800 rpm

BlueMax Mini Modular 3-phase

Fig. 45: Circuit diagrams